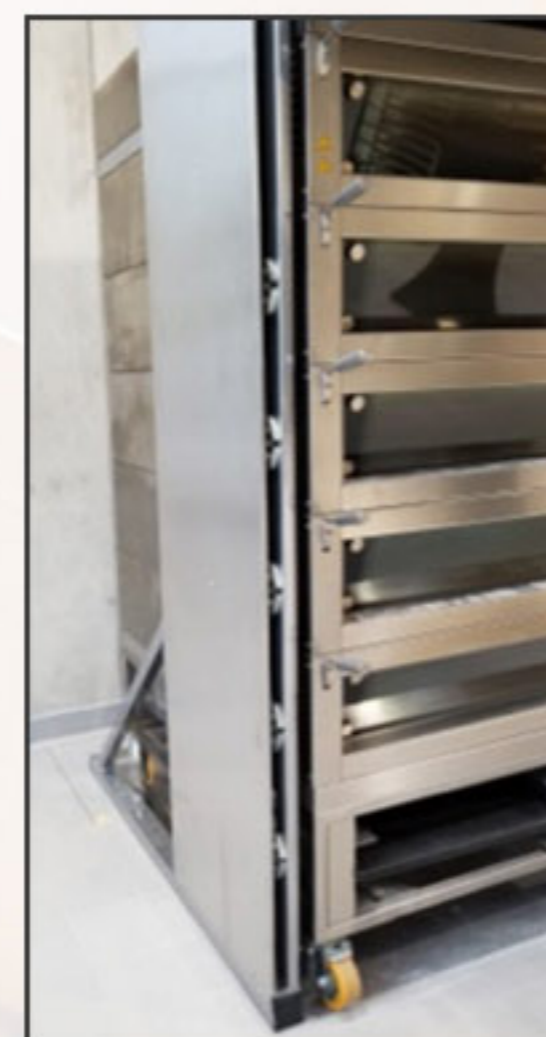


Kolb Integrated Elevator for Deck Oven

An ideal solution
for loads transfer in bakeries



- Suit for all types deck ovens
- Manual effort saving
- Easy to use
- Space saving design
- Perfect hygiene and security



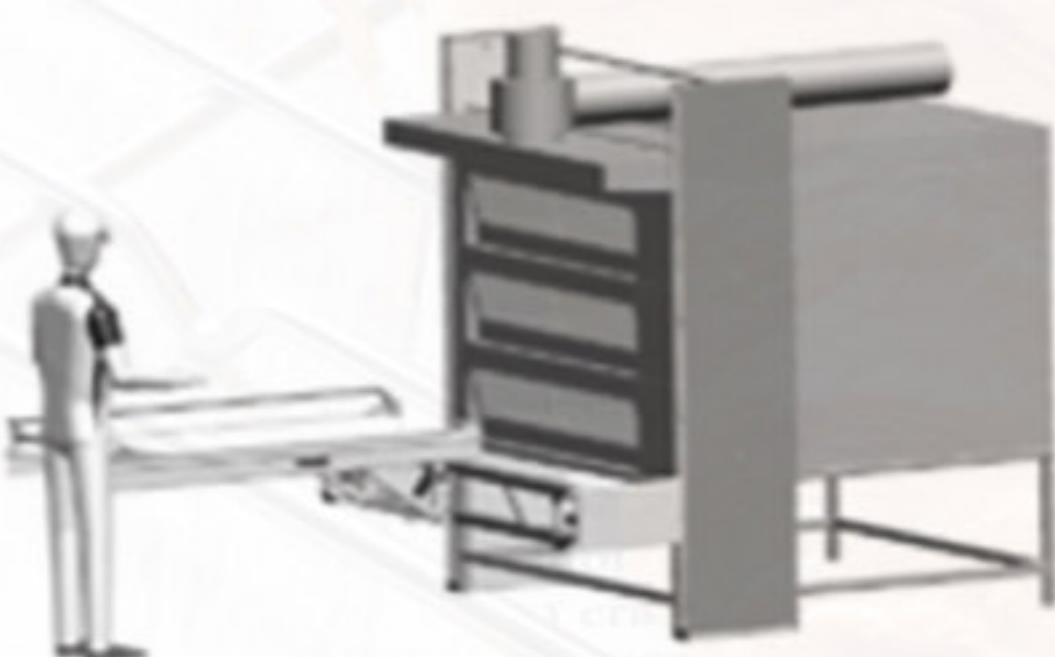
Overhead storage position

Requirement : Minimum ceiling height of 2330mm

Characteristic :

- Ergonomic release knob
- Chain transmission
- Adjustable spacing of the decks
- Aluminium and steel structure epoxy paint

1



2



3

